

# IDROULET

19-inch cabinet wheel kit

**GENESIA**  
POWERED BY ID CABLES

**ID**  
CABLES



## BENEFITS

Kit composed of 4 wheels

The wheels are mounted directly on the case structure on 4 threaded supports.

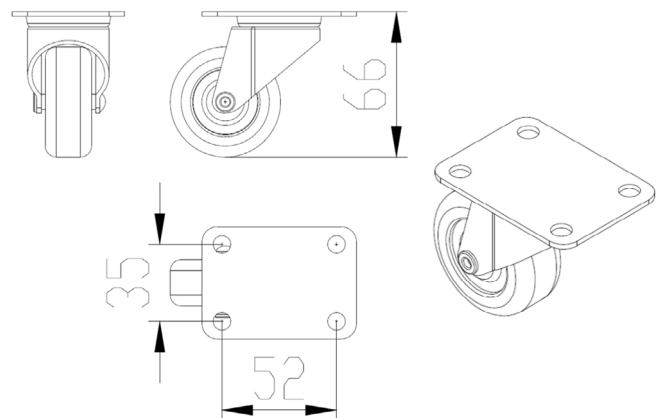
## PRODUCT INFORMATION

### DESCRIPTION / APPLICATIONS

The kit includes 4 wheels that attach directly to the IDCOF cases in the Genesis range.

A very practical accessory when it comes to making the installation mobile or easily accessible (Sound system or residential application)

### DIAGRAMS AND DIMENSIONS



### ORDER INFORMATION

REF	DESIGNATION	PACKAGING
IDROULET	Kit of 4 wheels for an IDCOF enclosure	1

### PACKAGING INFORMATION

ORDER	BOX	QUANTITY	PACKAGING
IF QUANTITY N X 1 PC	1 x 4 wheels in a box	1 pc	170mmx140mmx60mm Total weight 1.25 kg
IF QUANTITY N X 20 PCS	20 x 1 box of 4 wheels in a large box	20 pcs	360mmx340mmx300mm Total weight 26.5 kg