

+ BENEFITS

- Complete pack for an 8 terminal point installation
- Compact and easy to fix on the wall
- Comprend un switch ethernet 10/100/1000 mbits/s qui permet de dispatcher du gigabit ethernet sur l'ensemble de l'installation.



The IDPACK10POUCES kit includes:

- 1 × 6U 10 Inch Black Rack Cabinet
- 1 x Shelf of 150mm
- 1 x Rack-mountable power strip with 4 outlets 2P+T.
- 1 x Switch Ethernet 8 ports 10/100/1000 Mbits/s
- 1 × 12 ports RJ patch panel
- 16 x Shielded RJ45 Cat6a Jacks (IDK6AFS)
- 8 x RJ45 Faceplates - 1 port - 45×45mm
- 8 × 0.5m Cat6a S/FTP LSZH RJ45 Patch Cables

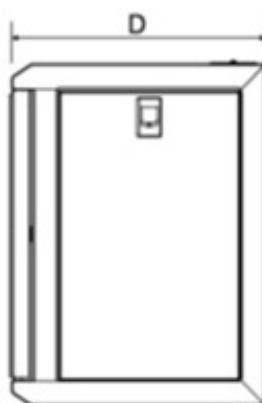
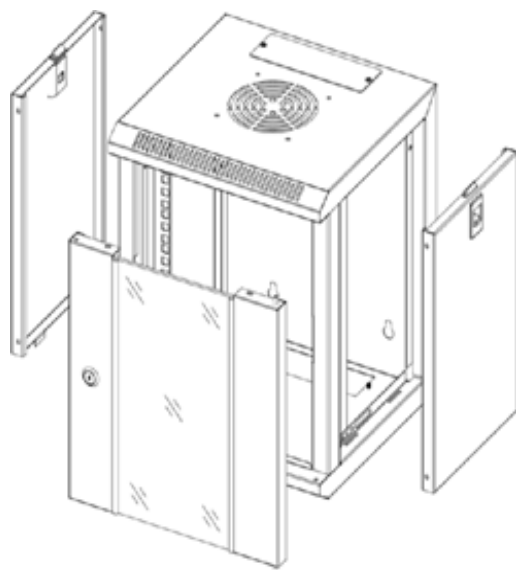
DESCRIPTION / APPLICATIONS

The 10-inch case from IDPACK10POUCES has an elegant design and a reinforced structure allowing a static load of up to 10 kg. It is black in color.

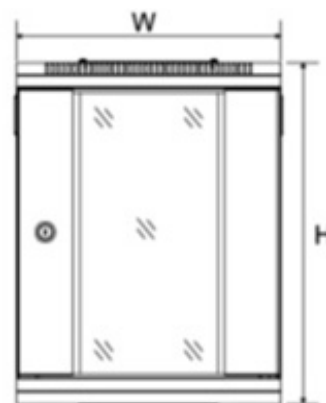
It can be installed in all office or residential environments, while providing a perfect starting point for cable distribution.

The delivered kit to be assembled allows you to create an end-to-end Cat6a VDI wiring and connect active devices to the network through its gigabit Ethernet switch.

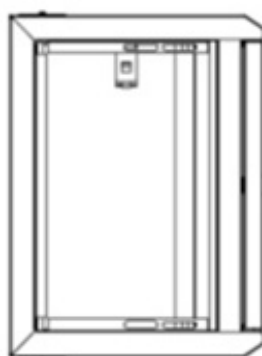
SCHEMES AND DIMENSIONS



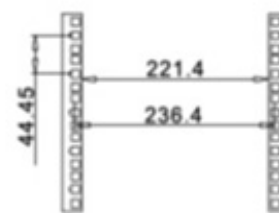
Left View



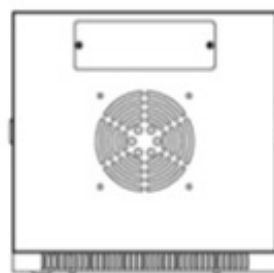
Front View



Right View



Mounting Dimension



Top View



Rear View

REF	H (mm)	W (mm)	D (mm)	NET WEIGHT
COFFRET 6U 10 POUCES	350	312	300	4 kg

ACCESSORIES INCLUDED IN THE PACK

DESIGNATION
ASSEMBLED 6U 10-INCH RACK 10-INCH 1 U BLACK SHELF 150MM
POWER SUPPLY UNIT 10 INCHES 1U 4 SOCKETS 2P+T (2m cable)
8-PORT 10/100/1000 MBITS/S SWITCH WITH EU POWER SUPPLY RJ45 CAT6A SHIELDED SOCKET.
10 INCH 12 PORT RJ PANEL 45X4 5 1 PORT RJ
CAT6A S/FTP LSZH 0.5M ETHERNET CABLE



ORDER INFORMATION

REF	NAME	DESIGNATION
IDPACK10POUCES	6U	SMALL TERTIARY PACK 10 INCHES CAT.6A CABINET 6U+SHELF+PDU 4P+SWITCH 8P 10/100/1000 CAT6A PACKAGE+12P PANEL+FACEPLATE+CABLES 50CM