

IDCORIG6AFS

Tool-less shielded CAT6a 360° field RJ45 connector

GENESIA
POWERED BY ID CABLES

ID
CABLES

Ed1 01/2021/OP



BENEFITS

- Tool-free quick connection with comb and 360° grounding loop
- Dust protection cap and rear cuff
- Compensation per printed circuit board to ensure an excellent level of performance

PRODUCT INFORMATION

APPLICATION

The RJ45 IDCORIG6AFS field connector is shielded 360° and benefits from excellent electrical performance, ensuring good NEXT and RETURN LOSS margins when used in Class Ea.

The wiring comb enables tool-free connector connection while ensuring quality wiring thanks to its clear and visible color code.

- Ethernet base T up to 10 Gbits/s
- VoIP & ISDN

- IEEE 802.3 af/at/bt: PoE, Poe+ and 4pPoE

STANDARDS

SYSTEM: ISO/IEC 11801 Ed3.0 Class Ea
EIA/TIA 568.2-D Compliant with MPTL testing.
(MPTL)

ELECTRICAL PROPERTIES

CONTACT RESISTANCE:
<20mΩ

Resistance input/output:
<200mΩ IEC

Insulation resistance:
<250mΩ @500V DC

TENSION :
> 1000V DC contact to contact
> 1500V DC of ground contact

INSERTION CYCLE:
> 750

OPERATING VOLTAGE:
> 72V DC

POWER CAPACITY:
> 90W

OPERATING TEMPERATURE:
-10°C to +60°C

MECHANICAL PROPERTIES

CAD: Bronze + platinum / Cu + SnPb 80

HARD OR FLEXIBLE WIRE : AWG26 to AWG23

MAXIMUM INSULATION DIAMETER: 1.35 mm

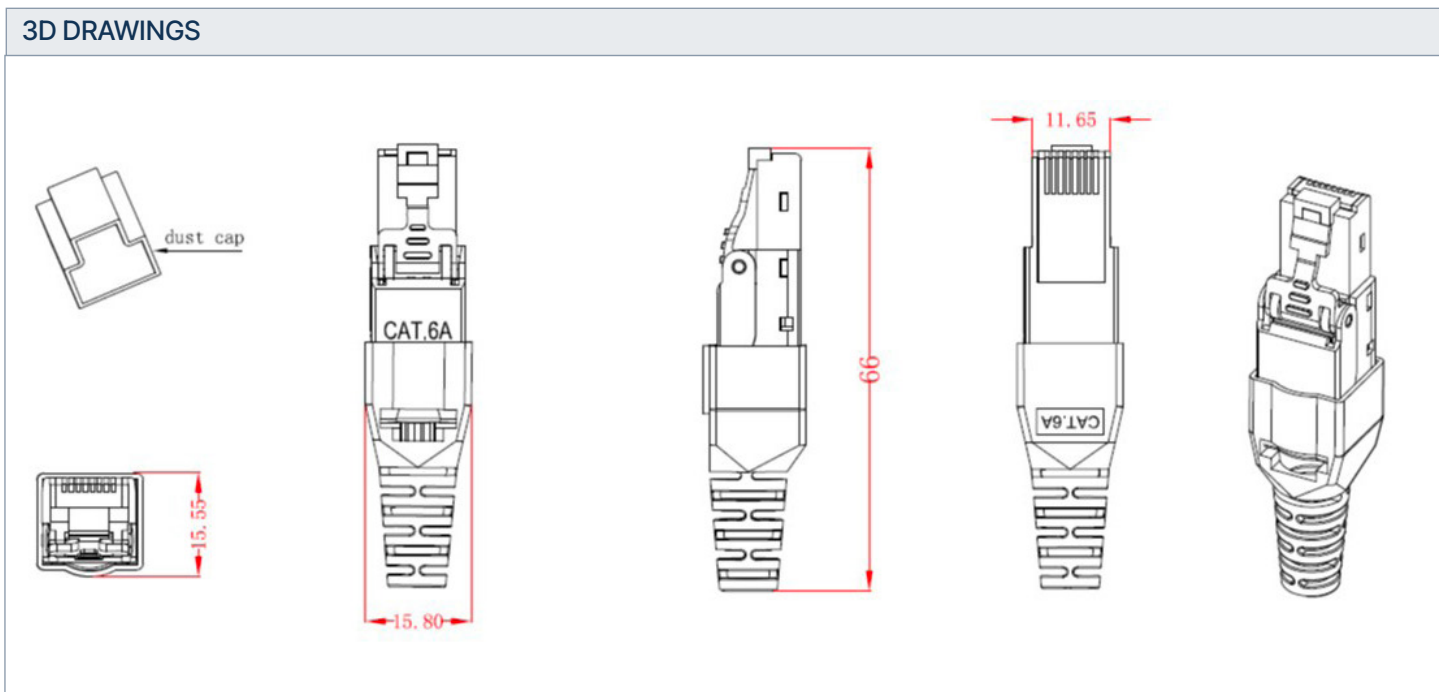
MAX CABLE DIAMETER: 7.8 mm

CONTACTS: PHOSPHOR BRONZE + AU 1.2 MICRON



BODY: ZAMAC

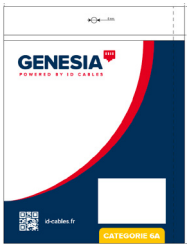
COLOR CODE: 568B & 568A

PRESTATIONS	
CONNECTOR	SYSTEM
FCC Part 68 subpart F	TIA 568.2-D CAT6A
TIA 570-B	ISO 11801-1 Ed3.0 Classe Ea
UL 18663	EN 50173-1 Classe Ea
	IEEE 802.3af, at & bt (PoE / PoEP & 4pPoE)



ORDER INFORMATION		
REF	DESCRIPTION	PACKAGING
IDCORIG6AFS	Field RJ45 Toolless Connector Cat.6A shielded 360°	8

RELATED PRODUCTS	
	IDK6AFS Embase RJ45 Cat.6a
	IDCORD6Axxx RJ45 Cat.6a LSZH Cables from 0.5m to 15m

PACKAGING INFORMATION				
	ORDER	BOX	QUANTITY	PACKAGING
 Individual polybag Weight 20g	IF QUANTITY N X 8 PCS	8 x Individual Polybags printed in a cardboard box	8 pcs	60mmx60mmx30mm Total weight 0.15 kg
	IF QUANTITY N X 48 PCS	6 boxes of 8 packs in a box	48 pcs	125mmx65mmx35mm Total weight 0.9 kg