

CBNCM75100

BNC MALE 75 OHM CRIMP_STYLE

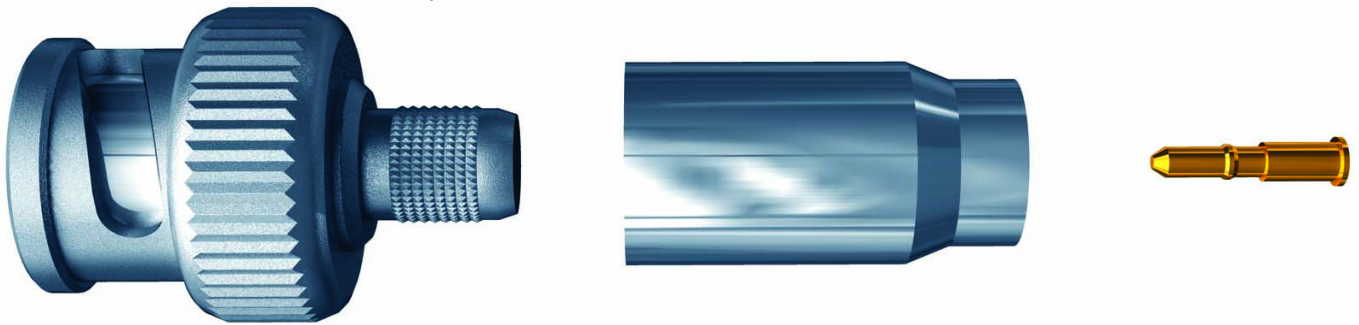


Cork

Corps

Ferrule

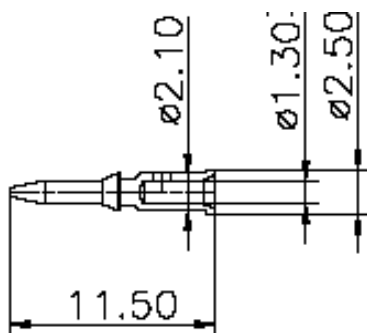
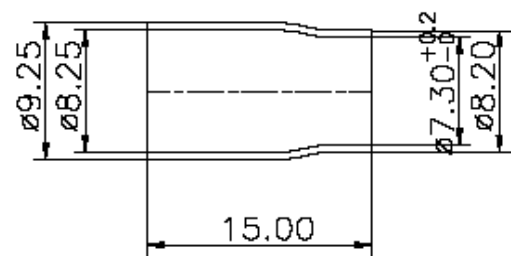
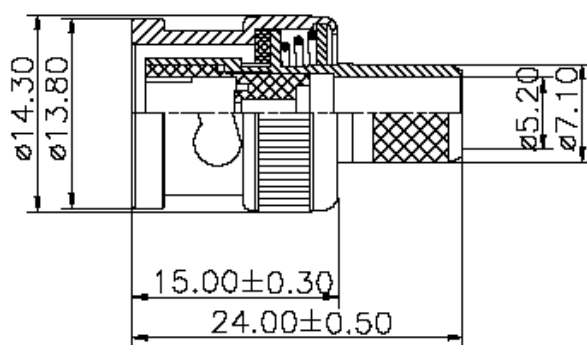
Central contact



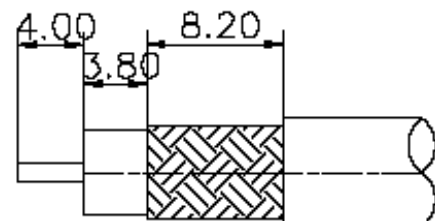
PRODUCT INFORMATION

	MATERIALS	PAVEMENT
Contact central	Brass	Or
Insulator	POM	Natural
Body	Zinc	Nickel
Cork	Zinc	Nickel
Ferrule	Brass	Nickel
Impedance:	75 Ω	
Frequency of use:	0-1.5GHz	
Crimping pliers:	PBNC100	
Sleeves:	M75100x - (Different colors available)	
Cable:	XK100	

DIMENSIONS (en mm)



Cable preparation



RECOMMENDED
CABLE STRIPPING DIM'S